

AC LV SWBD - 800 to 4000A, 480-600VAC



UL 891 Made in USA with 100% Domestic Content

Main breaker / MLO switchboard platform for both 480VAC and 600VAC PV & EV applications. Utilizes 100% domestic content! Multiple feeder breaker size options and combinations are available, with main breaker ampacities from 800A to 4000A and bus sizes from 2000A to 4000A. MVT connections available by direct bus or by cable.

Product Details

- 480 or 600VAC, 3P4W or 3P3W (90" x 60" x 36")
- 800A to 4000A main breaker (ACB)
- Drives up to 3,500kVA transformer @ 600VAC
- Main lug only option also available
- High density (up to 40 x 100AF) branch feeders
- Feeder ranges: 100AF, 150AF, 250AF, 400AF, 600AF
- Feeder trip type: Electronic Trip
- Interrupt Ratings:
 - Up to 100kAIC @ 480VAC
 - Up to 65kAIC @ 600VAC
- Surge suppressor option
- Oversized lug options for feeders available
- CT / PT / metering packages available
- Thermally engineered NEMA 3R enclosure

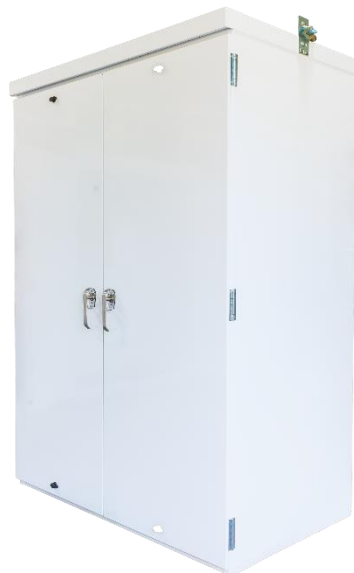


Pictured above: UL / NEMA 3R 480 / 600VAC, 4000A bus, 4000A main with qty (20) 150AF MCCB feeders

Additional Views

Pictured direct right: Unit with NEMA / UL 3R doors closed. This platform provides maximum of (40) feeders @ 125AF, (30) feeders @ 150/250AF, (20) feeders @ 400/600AF plus main breaker, in a compact 90" x 60" x 36" unit size.

Pictured far right: Interior view of 4000A unit with dead front removed. Cable entry at the bottom, unit either direct cabled to MVT (see rear of flyer) or directly cabled.

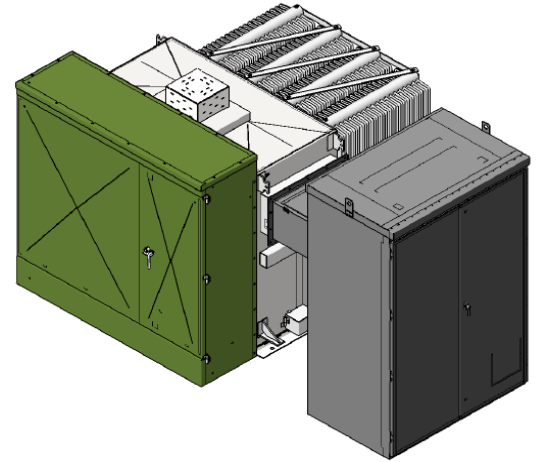


480VAC – 600VAC BoS Equipment

Custom Throated Transformer Connections

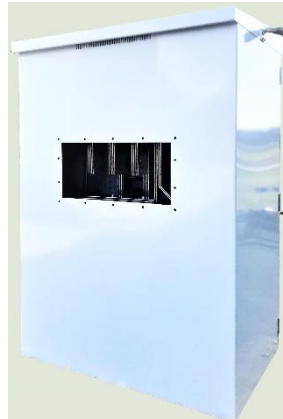
Details

- Direct bussed connection to MVT
- MVT / block sizes: Single up to 3,500kVA, dual up to 5,000kVA
- Available with copper bus bars for MVT connection, or optional UL listed ERIFLEX flexible bus bars in UL 870 trough
- Engineered, PE stamped recombiner / transformer skids available



Pictured above: Single 600VAC, 4000A, UL / NEMA 3R UL 891 switchboard with close coupled bus connection to 2,800kVA MV transformer.

Pictured far left: Rear unit view showing close-up on direct bus tie to MVT. Left: full back view.



Auxiliary Power Centers & Grounding Reactors / Transformers

Details – Grounding Transformers / Reactors

- 480VAC through MV
- Single phase & three phase up to 4500kVA
- Full 3D design / NEMA 3R padmount



NGR: 6.25 KVAR, 10 OHMS



NGR: 30 KVAR, 15KV CLASS



LV / 65KVA POWER CENTER, 600/480 3P & 600/120 1P DUAL SECONDARY



LV / 30KVA POWER CENTER 600/480 3P



MV / 112.5KVA POWER CENTER 13,200/415/240 3P



LV / 20KVA POWER CENTER 600/120/240 1P

Details - Auxiliary Power Panels

- UL Listed **Power Centers** combine auxiliary transformer and circuit breaker distribution functions into one unit
- Sizing from 5kVA to 250kVA, single phase & three phase, 480VAC through MV
- Secondary voltages 480 / 240 / 120VAC
- Compact and economical solution for auxiliary power loads, including: SCADA, tracker motors, heating and cooling, etc.