

# AC LV SWBD - 1200 to 4000A, 480-600VAC



## UL 891 Certified Switchboards for Industrial Applications

Main breaker switchboard platform for both 480VAC and 600VAC industrial applications. Supporting up to (40) feeders in one switchboard. Multiple feeder breaker size options and combinations are available, with bus capacities from 1200A to 4000A. MVT connections available by direct bus or by cable.

### Product Details

- 480 or 600VAC, 3PH, 4W (90" x 60" x 36")
- 1200A to 4000A main breaker / bus rating options
- Drives up to 3,500kVA transformer @ 600VAC
- Main lug only option also available
- High density (up to 40 x 100AF) branch feeders
- Feeder ranges: 100AF, 150AF, 250AF, 400AF, 600AF, 800AF, 1000AF
- Feeder trip type: Thermal Mag or Electronic Trip
- Interrupt Ratings:
  - Up to 100kAIC @ 480VAC
  - Up to 65kAIC @ 600VAC
- Surge suppressor option
- Oversized lug options for feeders available
- CT / PT / metering packages available
- Thermally engineered NEMA 3R enclosure

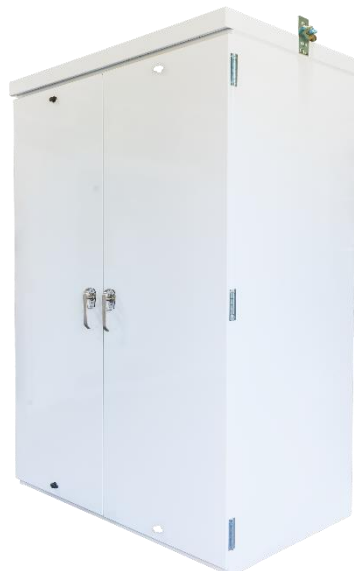


Pictured above: UL / NEMA 3R 480 / 600VAC, 4000A bus, 4000A main with qty (20) 150AF MCCB feeders

### Additional Views

Pictured direct right: Unit with NEMA / UL 3R doors closed. This platform provides maximum of (30) feeders @ 150AF or 250AF and (40) feeders @ 100AF, plus main breaker, in a compact 90" x 60" x 36" unit size.

Pictured far right: Interior view of 4000A unit with dead front removed. Cable entry at the bottom, unit either direct cabled to MVT (see rear of flyer) or directly cabled.

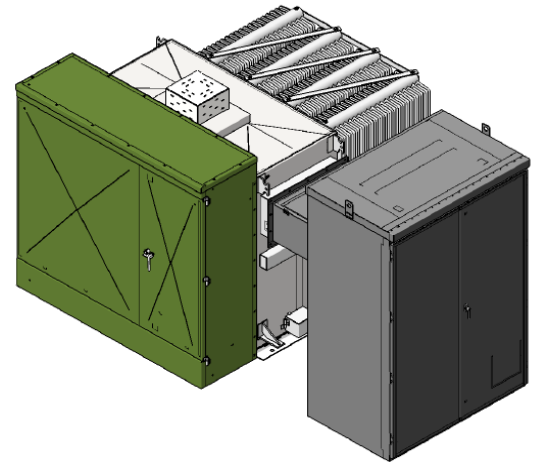


# 480VAC – 600VAC BoS Equipment

## Custom Throated Transformer Connections

### Details

- Direct bussed connections to MVT
- MVT / block sizes: Single up to 3,500kVA, dual up to 5,000kVA
- Available with copper bus bars for MVT connection, or optional UL listed ERIFLEX flexible bus bars in UL 870 trough
- Engineered, PE stamped recombiner / transformer skids available



Pictured above: Single 600VAC, 4000A, UL / NEMA 3R UL 891 switchboard with close coupled bus connection to 2,800kVA MV transformer.

Pictured far left: Rear unit view showing close-up on direct bus tie to MVT. Left: full back view.

## 600VAC Revenue Metering and Auxiliary Power Panels

### Details - Revenue Metering

- 600VAC rated PTs and CTs for standard and revenue grade metering
- UL508A rated metering cabinet.
- MCCB monitoring and control (aux contact and shunt trip) available

### Details - Auxiliary Power Panels

- UL Listed **Powertran** "Powercenter" combines auxiliary transformer and circuit breaker distribution functions into one cabinet
- Sizing from 5kVA to 30kVA: Primary voltages 800 / 600 / 480VAC
  - Secondary voltages 480 / 240 / 120VAC
  - Compact and economical solution for auxiliary power loads, including SCADA, tracker motors, heating and cooling, etc.



Pictured left: Top down view of 7.5kVA power center 480: 240/120 with (7) secondary MCBs. Pictured right: 800VAC metering cabinet (view door removed) with PTs and ION 8650 revenue grade meter.



# 600VAC Switchboard

600VAC, UL 891, 1200-4000A

## Specifications UL 891 Switchboard

Quantity: 1

Alignment: Front Access

Service: 600VAC, 3Ph, 4W

Minimum Interrupt Rating: 65 kA (100kAIC @ 480VAC)

## Bus Specifications

Bus Amps: 1200 to 4000A Bus bracing 65KAIC (100kAIC @ 480VAC)

Neutral Amps: N/A

Bus Material: Copper

Gnd Bus Mat: Copper .25 x 2" (qty 2)

## Incoming Information

Incoming Entry: Bottom

Incoming Qty / Sz: Up to 350MCM (150/250AF), Cu/Al, landing on MCCBs directly. Up to 600MCM x (2) per phase (400/600AF), Up to 500MCM x (4) per phase (800AF/ 1000AF)

## Outgoing Information

Outgoing Entry: Rear, hard buss connection to Medium Voltage Transformer through UL 870, NEMA 3R trough, or alternatively, direct cable connection to MVT, up to 10 x 750MCM per phase

## Structure Specifications

Enclosure Type: Type 3R (non walk-in) Flat Roof

## Special Notes:

## Enclosure Properties

Structure #

1

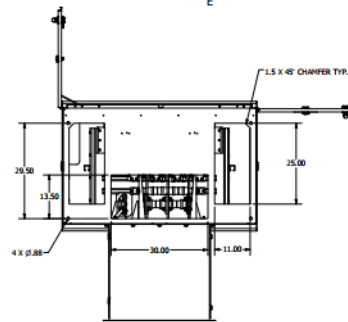
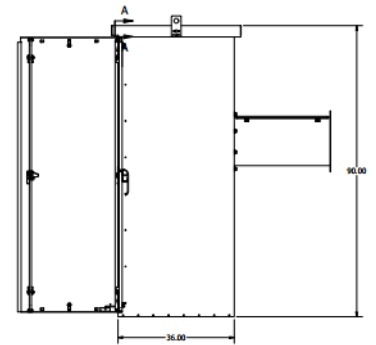
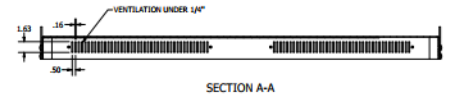
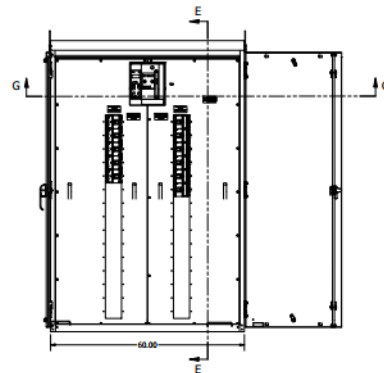
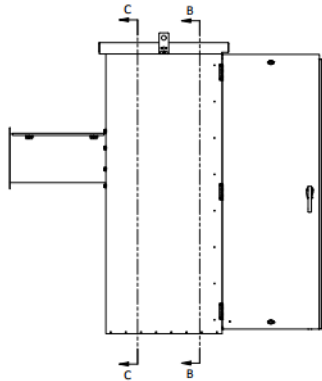
Up to 20\* feeders, right post, (100AF, 150AF, 250AF, 400AF, 600AF, 800AF, 1000AF), ETU or TM trip

Main ACB w/ LSIG (or alternate main switch or MLO)

Up to 20\* feeders. Left post, (100AF, 150AF, 250AF, 400AF, 600AF, 800AF, 1000AF), ETU or TM trip

\*Number of feeders is dependent on physical size, and total amperage. Max 20 feeders per post for 100AF, max 15 feeders per post for 150/250AF, etc.. Switchboard has (2) mounting posts.

**Typical Layout – External - Bus Connection**



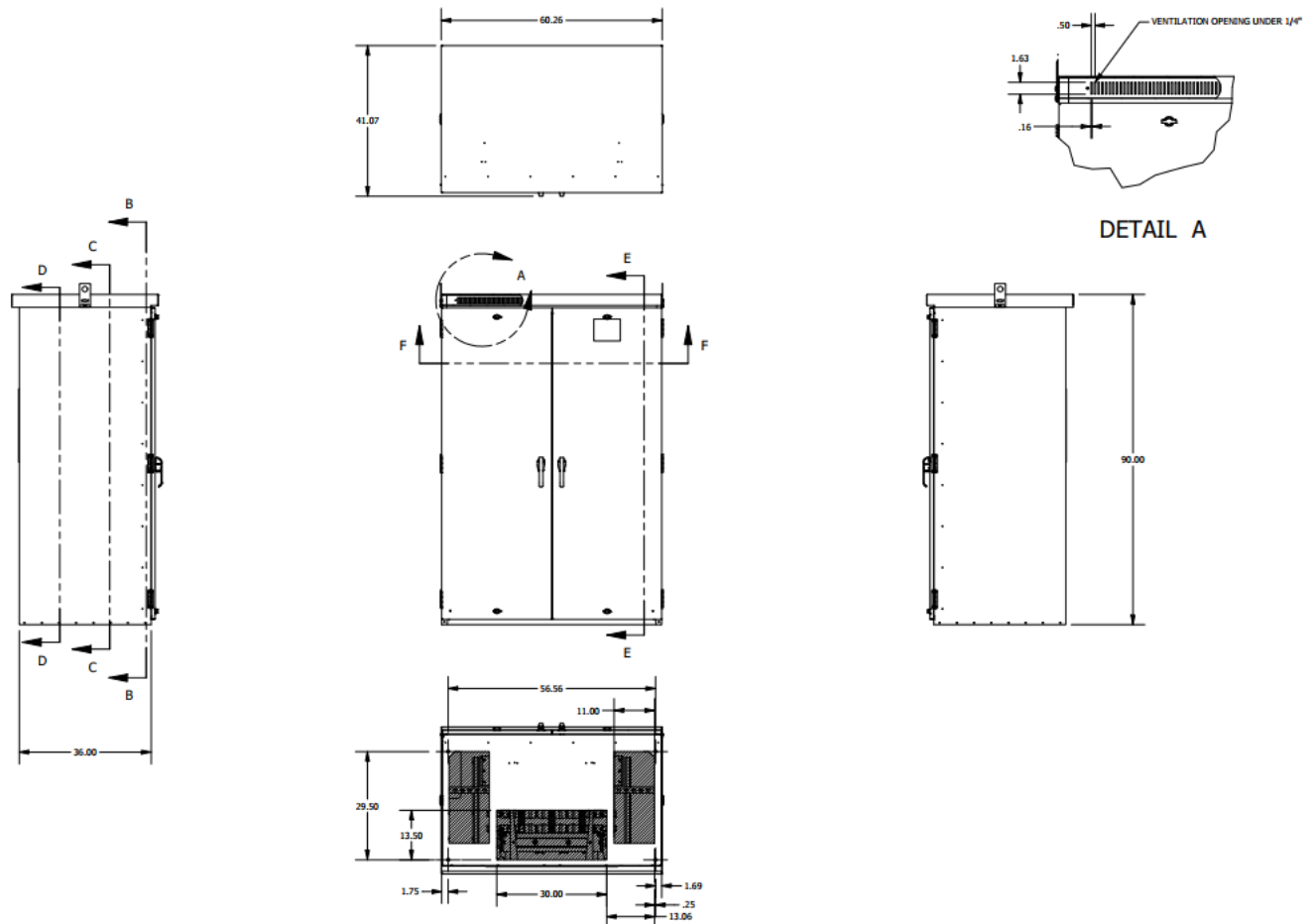
**H = 90"**

**W = 60"**

**D = 36"**

**Weight = 2500lbs (1200-2500A) 5,500lbs (4000A)**

### Typical Layout – External - Cable Connection



**H = 90"**

**W = 60"**

**D = 36"**

**Weight = 2500lbs (1200-2500A); 5,500lbs (4000A)**

# 600VAC Switchboard

Additional Images

View, NEMA 3R Doors Open, Dead Front View



View, Connected to MVT with optional direct bus connection



**View, Internal Trough Bus Connection, 4000A Trough is certified UL 870 and NEMA 3R**

